

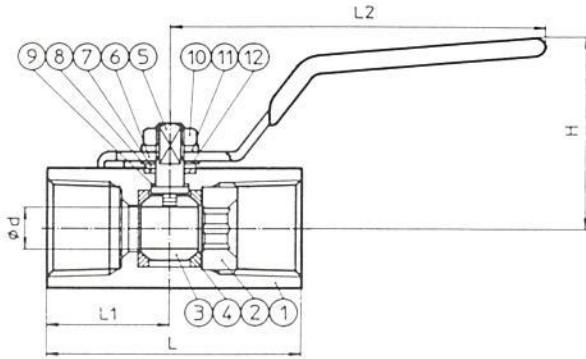
## SPECIAL FEATURES:

### STAINLESS STEEL SCREWED END TYPE

The HAMAI type BSS Ball Valves are ideal for effectively controlling oil, gas, and chemicals.

Completely free from pin-holes and cracks.

Compact design, quarter-turn operation and economical.



## MATERIALS:

PART NO.	DESCRIPTION	MATERIAL
1	VALVE BODY	SUS 316
2	END CAP	SUS 316
3	BALL	SUS 316
4	SEAT	REINFORCED TEFLON
5	STEM	SUS 316
6	HANDLE	SUS 430
7	GLAND WASHER	SUS 304 (1/4"~1") SUS 316 (1 1/4"~2")
8	A PACKING	REINFORCED TEFLON
9	B PACKING	REINFORCED TEFLON
10	NUT	SUS 304
11	SPRING WASHER	SUS 304
12	CONICAL SPRING WASHER	SUS 304

## OPERATING CONDITION:

MAX: OPERATING PRESSURE: 40 kgf/cm<sup>2</sup> (600 psi)

RECOMMENDED FOR OIL, GAS, AND CORROSIVE CHEMICAL LIQUID.

## DIMENSIONS:

## STANDARD PACKING:

SIZE	d	L	L1	L2	H	QUANTITY PER CARTON (pcs.)	MEASUREMENTS (mm)	GROSS WEIGHT (Kgs.)
1/4" (08)	5	40	19	60	31	400	270×360×440	30.6
3/8" (10)	7.5	44.5	21.7	80	40	200	320×390×300	25.3
1/2" (15)	9	54.5	26.5	80	42	100	360×410×175	20.5
3/4" (20)	12.5	61.0	30	100	51	80	260×430×330	26.9
1" (25)	16	68.5	34.5	100	54	40	280×290×370	20.2
1 1/4" (32)	21	78	39	150	66	30	360×360×350	28.0
1 1/2" (40)	24	82	41	150	69	20	260×360×480	22.7
2" (50)	32	100	50	150	75	10	240×470×300	19.3

(Required min order quantity per size)

- NOTE: 1. Screwed-end available, BSPT, BSPP, NPT and PT.  
 2. SUS 316 handle available upon your special request.  
 3. Printing customer's logos on handle plastic available.  
 4. Due to continuous development of our range of valves, we reserve the right to alter the dimensions and information contained in all our literature as required.



RUGVÆNGET 19 C  
 2630 TAASTRUP  
 INFO@PGFLOWTEKNIK.DK  
 WWW.PGFLOWTEKNIK.DK